



**Phone: (765)448-4800**

**FAX: (765) 448-4885**

**Parts Tech. Hotline: 1-800-542-3088**

# **Bent Tab Chart**

**Tabs sorted by Shape, Hole Size,  
Material, Thickness and Part  
Number**

**Click on any image to find out more information for that tab.  
 (You may go online to order any of these tabs through our E-catalog.  
 Make sure to connect to the internet before attempting the link below.)  
 E-catalog URL - <http://secure.mckinneycorp.com>**



FC - 250



FC - 372



FC - 443



FC - 563



FC - 676



FC - 677



M - 5 - B



M - 10 - A



M - 46



M - 77 - A3



M - 77 - B



M - 77 - F



M - 105



M - 121 - C



M - 121 - D4



M - 121 - D4 - T



M - 121 - D7



M - 121 - D8



M - 182 - D



M - 182 - DT

**Click on any image to find out more information for that tab.  
(You may go online to order any of these tabs through our E-catalog.  
Make sure to connect to the internet before attempting the link below.)  
E-catalog URL - <http://secure.mckinneycorp.com>**



M - 252 - B



SPL - 21 - A

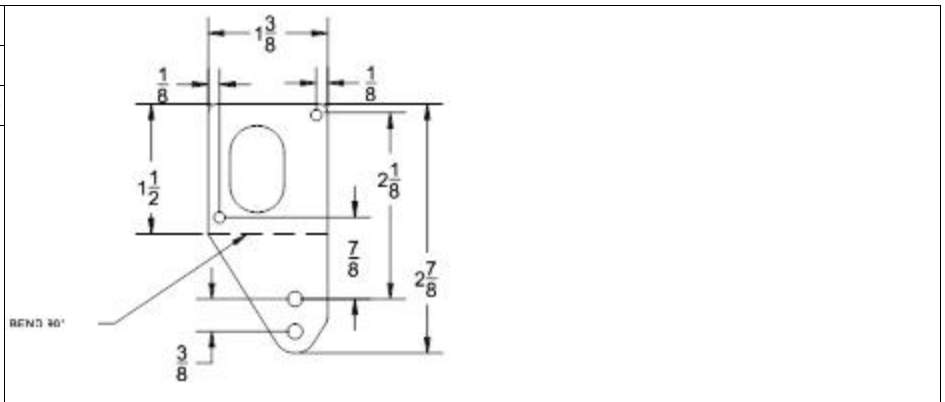


SPL - 56

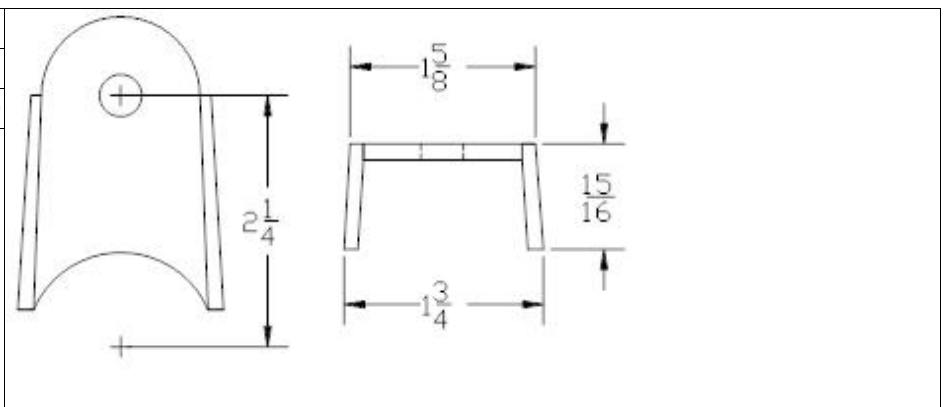


SPL - 58 - T

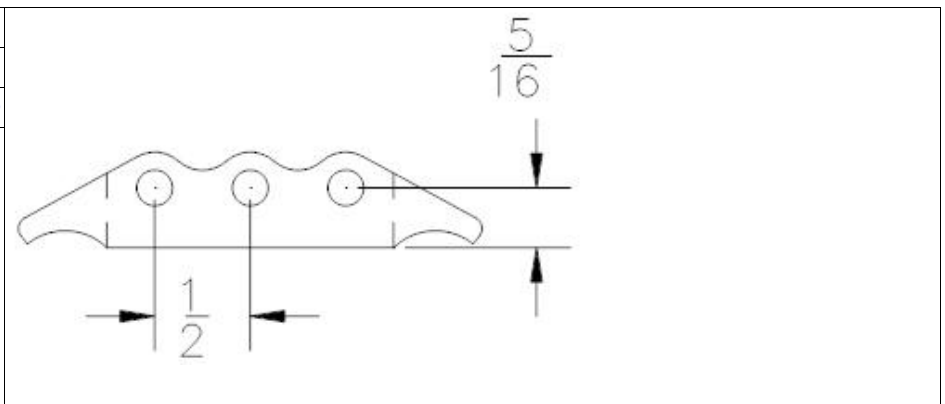
<b>Part #</b>	M-77-A3
<b>Desc.</b>	ESCAPE HATCH HINGE TAB (HATCH)
<b>Material</b>	4130 <a href="#">Back to Image</a>
<b>Hole Size A</b>	.190"
<b>Hole Size B</b>	.130"
<b>Hole Size C</b>	
<b>Base Width</b>	1 3/8"
<b>Thickness</b>	.063"
<b>Style</b>	bent
<b>Comment</b>	



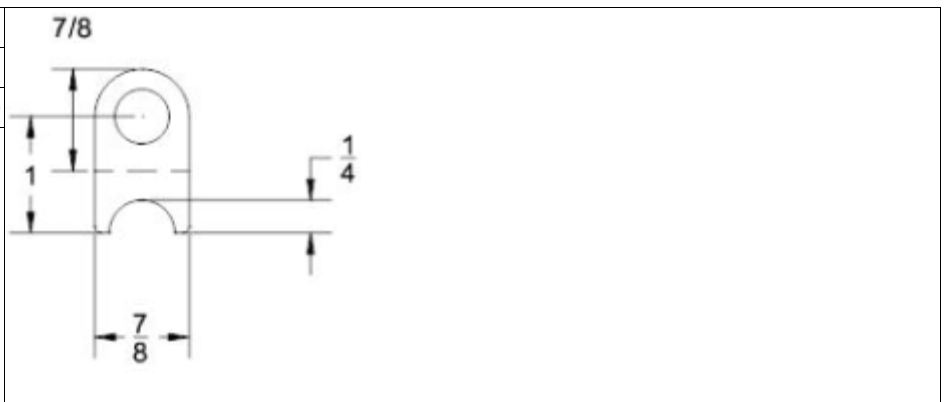
<b>Part #</b>	M-105
<b>Desc.</b>	MOTOR MOUNT TAB (REAR)
<b>Material</b>	4130 <a href="#">Back to Image</a>
<b>Hole Size A</b>	.250"
<b>Hole Size B</b>	
<b>Hole Size C</b>	
<b>Base Width</b>	1 1/4"
<b>Thickness</b>	.125"
<b>Style</b>	bent
<b>Comment</b>	



<b>Part #</b>	M-121-C
<b>Desc.</b>	THROTTLE CABLE TAB (DRAGSTER)
<b>Material</b>	4130 <a href="#">Back to Image</a>
<b>Hole Size A</b>	.1875"
<b>Hole Size B</b>	
<b>Hole Size C</b>	
<b>Base Width</b>	1 1/2"
<b>Thickness</b>	.063"
<b>Style</b>	bent
<b>Comment</b>	



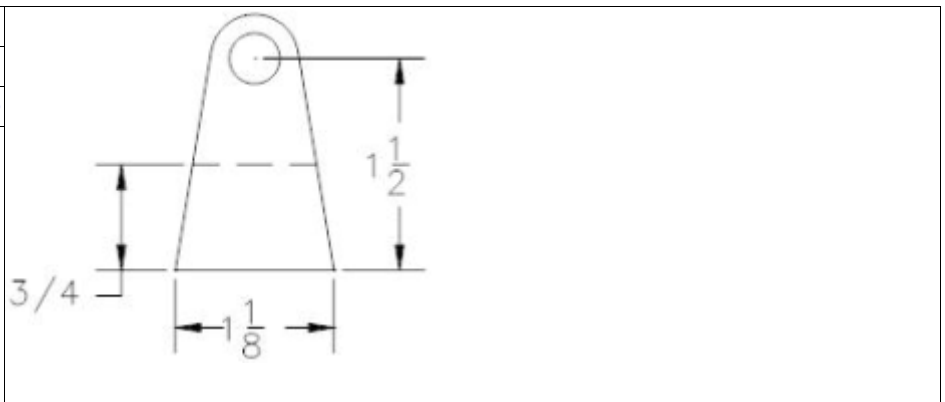
<b>Part #</b>	M-121-D4
<b>Desc.</b>	THROTTLE STOP SWITCH TAB
<b>Material</b>	4130 <a href="#">Back to Image</a>
<b>Hole Size A</b>	.40625"
<b>Hole Size B</b>	
<b>Hole Size C</b>	
<b>Base Width</b>	.8125
<b>Thickness</b>	.125"
<b>Style</b>	bent
<b>Comment</b>	



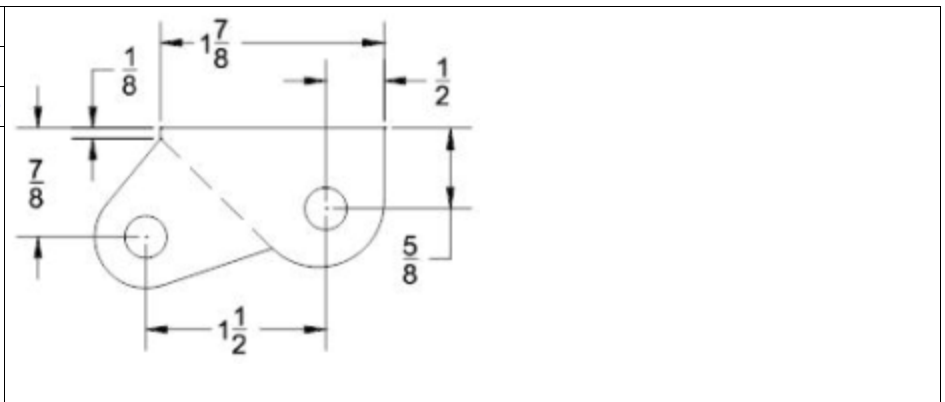
<b>Part #</b>	M-121-D7	
<b>Desc.</b>	TOE PEDAL BELL CRANK MOUNT TAB	
<b>Material</b>	4130	<a href="#">Back to Image</a>
<b>Hole Size A</b>	.3125"	
<b>Hole Size B</b>		
<b>Hole Size C</b>		
<b>Base Width</b>	1 1/8"	
<b>Thickness</b>	.125"	
<b>Style</b>	bent	
<b>Comment</b>		



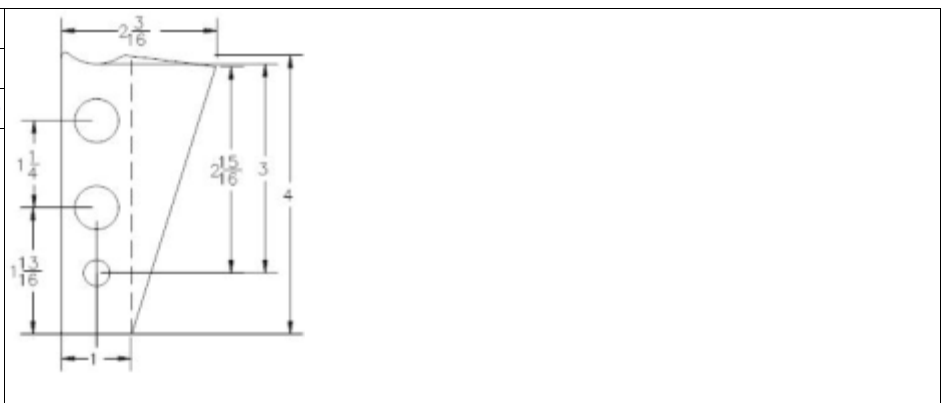
<b>Part #</b>	M-121-D8	
<b>Desc.</b>	TOE PEDAL MOUNT TAB	
<b>Material</b>	4130	<a href="#">Back to Image</a>
<b>Hole Size A</b>	.375"	
<b>Hole Size B</b>		
<b>Hole Size C</b>		
<b>Base Width</b>	1 1/8"	
<b>Thickness</b>	.125"	
<b>Style</b>	bent	
<b>Comment</b>		



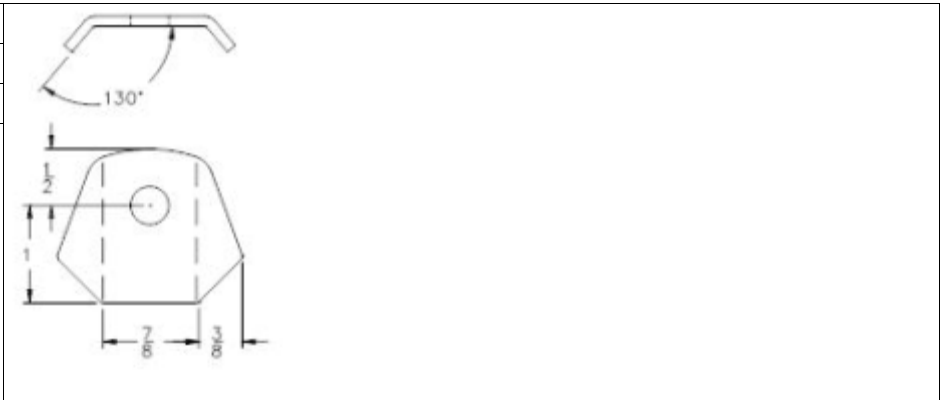
<b>Part #</b>	M-182-D	
<b>Desc.</b>	REAR TREE / WHEELIE BAR TAB	
<b>Material</b>	4130	<a href="#">Back to Image</a>
<b>Hole Size A</b>	.375"	
<b>Hole Size B</b>		
<b>Hole Size C</b>		
<b>Base Width</b>	1 7/8"	
<b>Thickness</b>	.1875"	
<b>Style</b>	bent	
<b>Comment</b>		



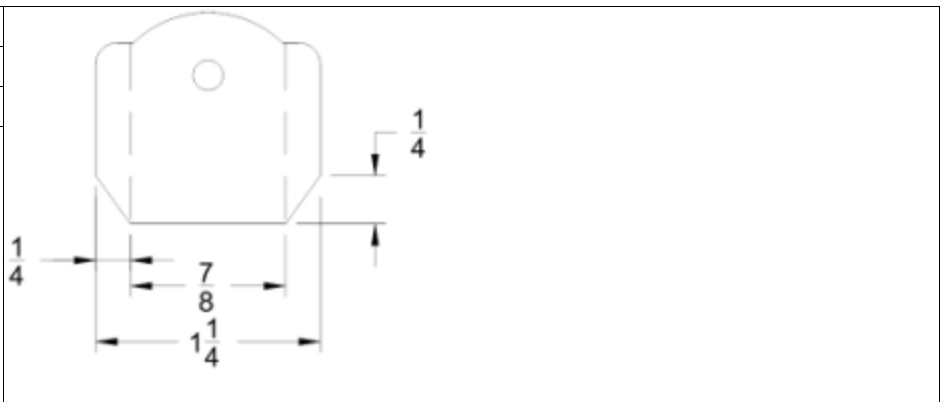
<b>Part #</b>	M-252-B	
<b>Desc.</b>	WHEELIE BAR JACK TAB	
<b>Material</b>	4130	<a href="#">Back to Image</a>
<b>Hole Size A</b>	.375"	
<b>Hole Size B</b>	.625"	
<b>Hole Size C</b>		
<b>Base Width</b>	1"	
<b>Thickness</b>	.125"	
<b>Style</b>	bent	
<b>Comment</b>		



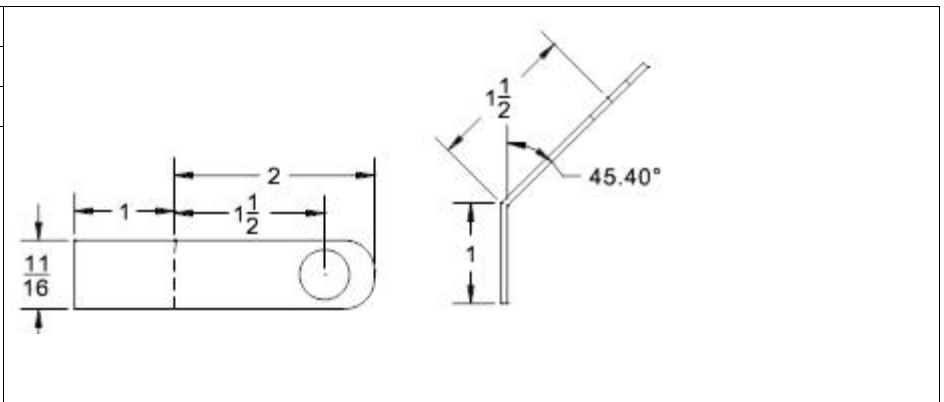
<b>Part #</b>	M-10-A	
<b>Desc.</b>	BELLCRANK TAB (LARGE)	
<b>Material</b>	4130	<a href="#">Back to Image</a>
<b>Hole Size A</b>	.375"	
<b>Hole Size B</b>		
<b>Hole Size C</b>		
<b>Base Width</b>	1"	
<b>Thickness</b>	.125"	
<b>Style</b>	bent	
<b>Comment</b>		



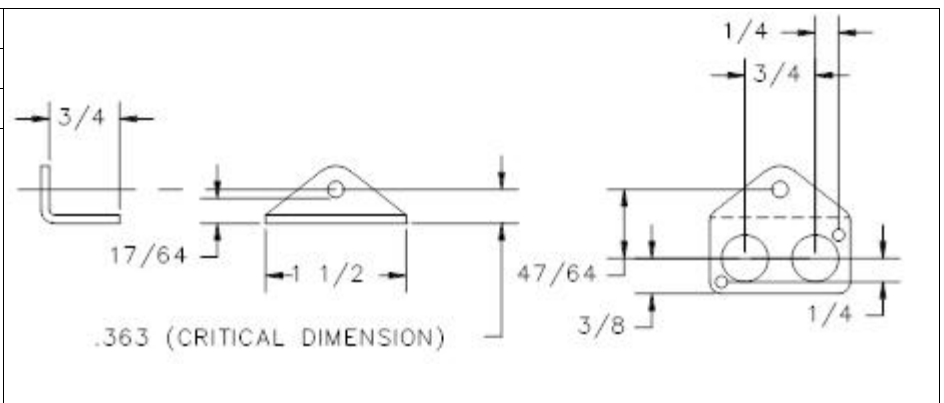
<b>Part #</b>	M-5-B	
<b>Desc.</b>	UNIVERSAL TAB (RECTANGLE)	
<b>Material</b>	4130	<a href="#">Back to Image</a>
<b>Hole Size A</b>	.1875"	
<b>Hole Size B</b>		
<b>Hole Size C</b>		
<b>Base Width</b>	1"	
<b>Thickness</b>	.063"	
<b>Style</b>	bent	
<b>Comment</b>		



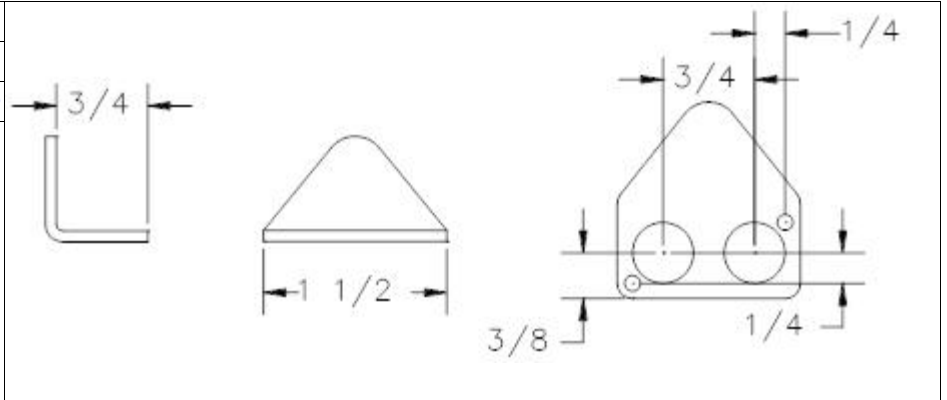
<b>Part #</b>	FC-677	
<b>Desc.</b>	THROTTLE SWITCH TAB	
<b>Material</b>	4130	<a href="#">Back to Image</a>
<b>Hole Size A</b>	.5"	
<b>Hole Size B</b>		
<b>Hole Size C</b>		
<b>Base Width</b>	.6875"	
<b>Thickness</b>	.063"	
<b>Style</b>	bent	
<b>Comment</b>		



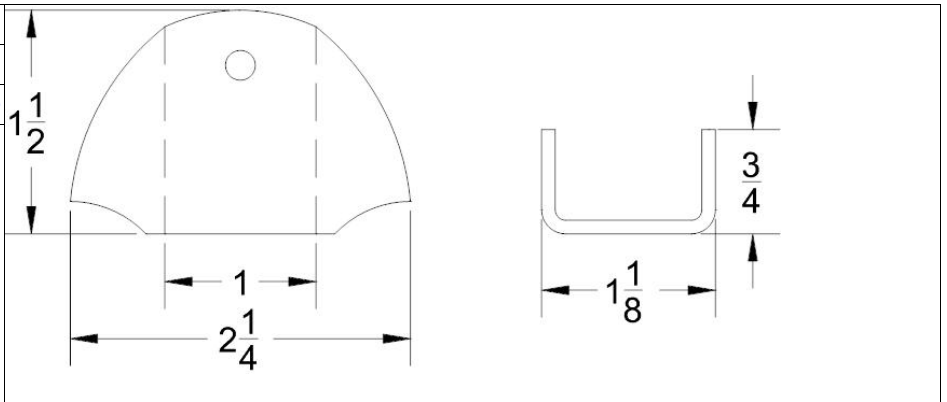
<b>Part #</b>	M-77-B	
<b>Desc.</b>	ESCAPE HATCH HINGE TAB (BODY)	
<b>Material</b>	4130	<a href="#">Back to Image</a>
<b>Hole Size A</b>	.190"	
<b>Hole Size B</b>	.130"	
<b>Hole Size C</b>	.500"	
<b>Base Width</b>	1 1/2"	
<b>Thickness</b>	.063"	
<b>Style</b>	bent	
<b>Comment</b>		



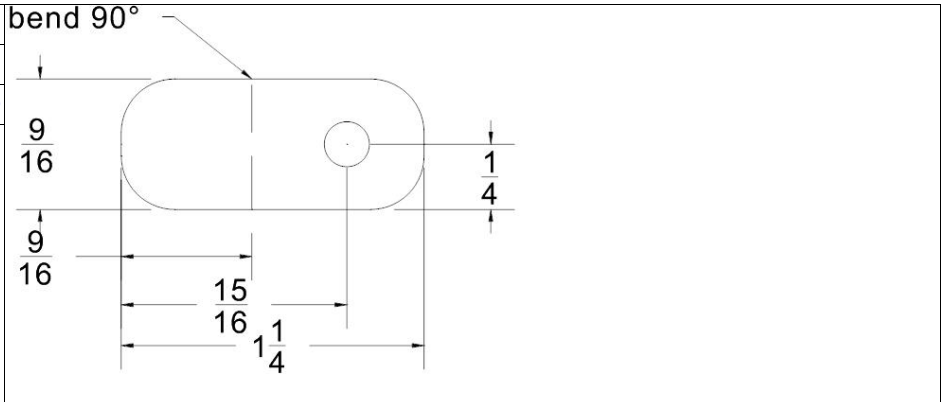
<b>Part #</b>	M-77-F
<b>Desc.</b>	BURST PANEL TAB
<b>Material</b>	4130 <a href="#">Back to Image</a>
<b>Hole Size A</b>	.130"
<b>Hole Size B</b>	.500"
<b>Hole Size C</b>	
<b>Base Width</b>	1 1/2"
<b>Thickness</b>	.063"
<b>Style</b>	bent
<b>Comment</b>	



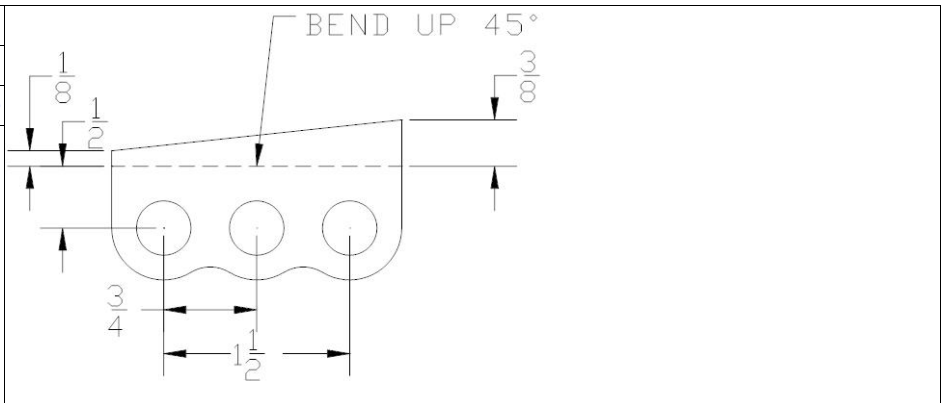
<b>Part #</b>	FC-250
<b>Desc.</b>	COMPUTER BOX TAB
<b>Material</b>	4130 <a href="#">Back to Image</a>
<b>Hole Size A</b>	.198"
<b>Hole Size B</b>	
<b>Hole Size C</b>	
<b>Base Width</b>	1"
<b>Thickness</b>	.090"
<b>Style</b>	bent
<b>Comment</b>	



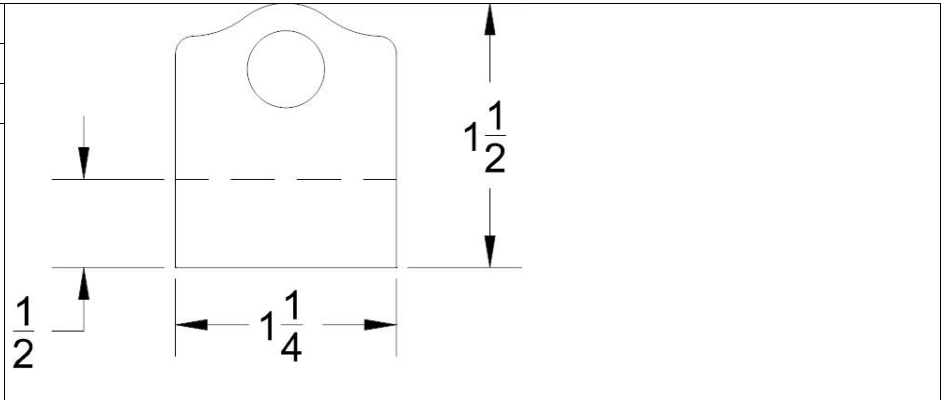
<b>Part #</b>	FC-372
<b>Desc.</b>	COMPUTER MOUNT TAB A
<b>Material</b>	4130 <a href="#">Back to Image</a>
<b>Hole Size A</b>	.190"
<b>Hole Size B</b>	
<b>Hole Size C</b>	
<b>Base Width</b>	N/A
<b>Thickness</b>	.063"
<b>Style</b>	bent
<b>Comment</b>	



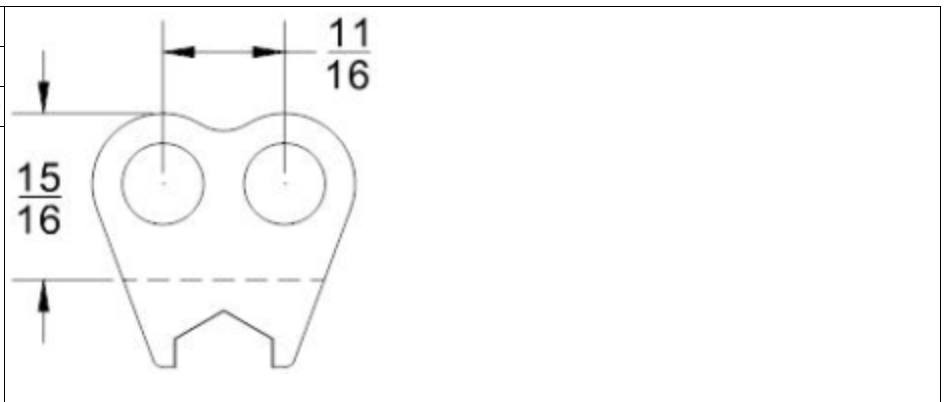
<b>Part #</b>	FC-443
<b>Desc.</b>	#4 BULKHEAD TAB
<b>Material</b>	4130 <a href="#">Back to Image</a>
<b>Hole Size A</b>	.440"
<b>Hole Size B</b>	
<b>Hole Size C</b>	
<b>Base Width</b>	N/A
<b>Thickness</b>	.090"
<b>Style</b>	bent
<b>Comment</b>	



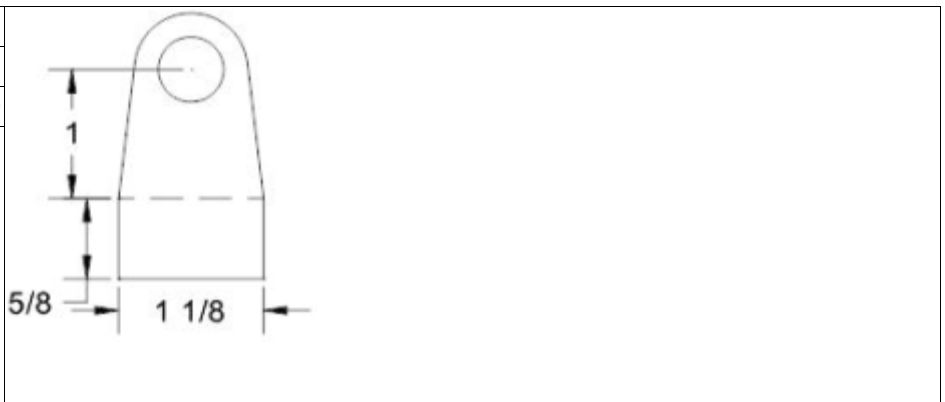
<b>Part #</b>	FC-563	
<b>Desc.</b>	DZUS TAB	
<b>Material</b>	4130	<a href="#">Back to Image</a>
<b>Hole Size A</b>	.4735"	
<b>Hole Size B</b>		
<b>Hole Size C</b>		
<b>Base Width</b>	1 1/4"	
<b>Thickness</b>	.063"	
<b>Style</b>	bent	
<b>Comment</b>		



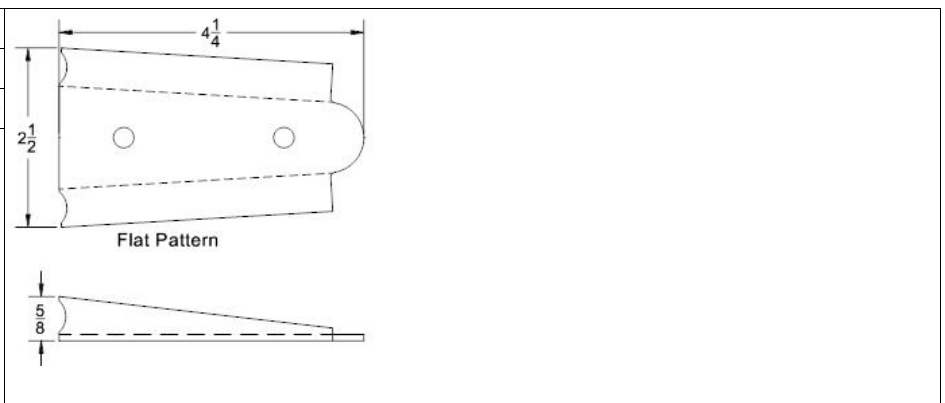
<b>Part #</b>	SPL-21-A	
<b>Desc.</b>	THROTTLE STOP SWITCH TAB (DUAL)	
<b>Material</b>	4130	<a href="#">Back to Image</a>
<b>Hole Size A</b>	.4687"	
<b>Hole Size B</b>		
<b>Hole Size C</b>		
<b>Base Width</b>	N/A	
<b>Thickness</b>	.090"	
<b>Style</b>	bent	
<b>Comment</b>		



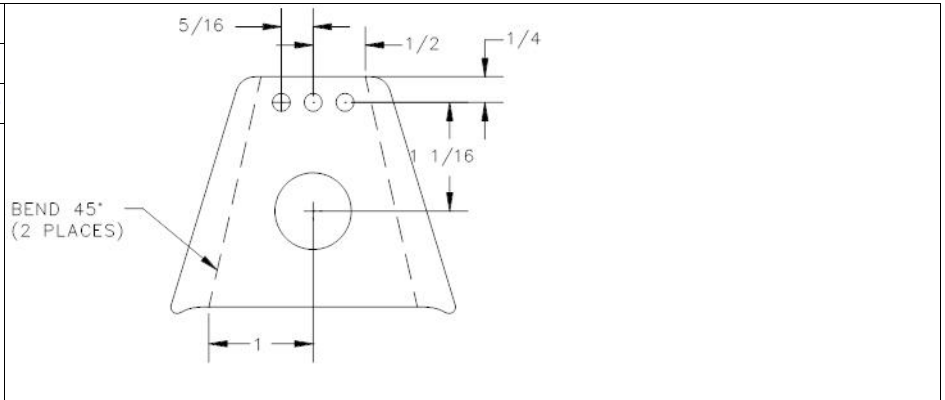
<b>Part #</b>	SPL-56	
<b>Desc.</b>	P-TANK TAB	
<b>Material</b>	4130	<a href="#">Back to Image</a>
<b>Hole Size A</b>	.505"	
<b>Hole Size B</b>		
<b>Hole Size C</b>		
<b>Base Width</b>	1 1/8"	
<b>Thickness</b>	.125"	
<b>Style</b>	bent	
<b>Comment</b>		



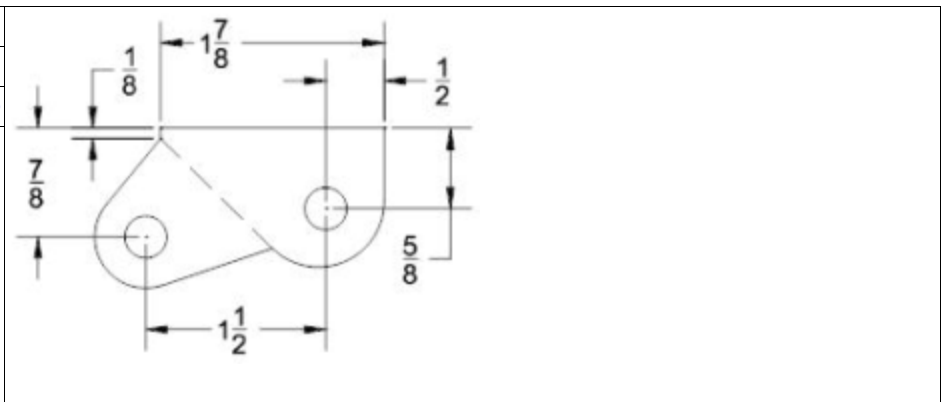
<b>Part #</b>	FC-676	
<b>Desc.</b>	MANAGEMENT BOX TAB	
<b>Material</b>	4130	<a href="#">Back to Image</a>
<b>Hole Size A</b>	.313"	
<b>Hole Size B</b>		
<b>Hole Size C</b>		
<b>Base Width</b>	1.44"	
<b>Thickness</b>	.090"	
<b>Style</b>	bent	
<b>Comment</b>		



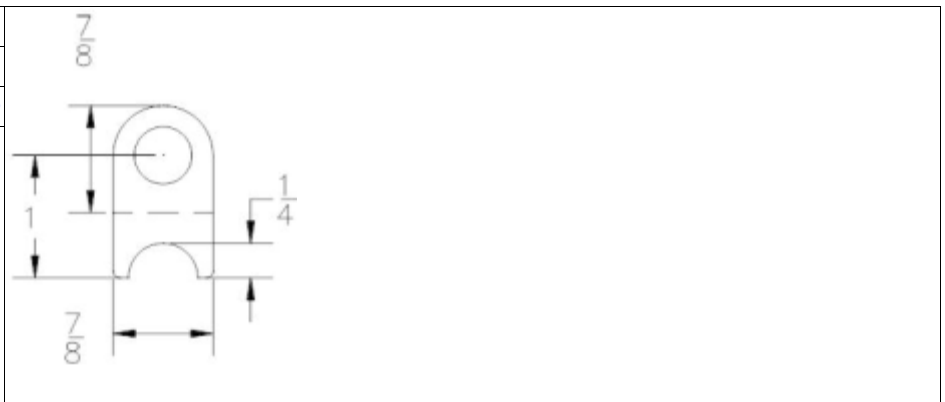
<b>Part #</b>	M-46	
<b>Desc.</b>	CABLE TAB (ADJUSTABLE)	
<b>Material</b>	4130	<a href="#">Back to Image</a>
<b>Hole Size A</b>	.190"	
<b>Hole Size B</b>	.750"	
<b>Hole Size C</b>		
<b>Base Width</b>	N/A	
<b>Thickness</b>	.063"	
<b>Style</b>	bent	
<b>Comment</b>		



<b>Part #</b>	M-182-DT	
<b>Desc.</b>	REAR TREE / WHEELIE BAR TAB	
<b>Material</b>	6-4 Ti	<a href="#">Back to Image</a>
<b>Hole Size A</b>	.375"	
<b>Hole Size B</b>		
<b>Hole Size C</b>		
<b>Base Width</b>	1 7/8"	
<b>Thickness</b>	.1875"	
<b>Style</b>	bent	
<b>Comment</b>		



<b>Part #</b>	M-121-D4-T	
<b>Desc.</b>	THROTTLE STOP SWITCH TAB	
<b>Material</b>	6-4 Ti	<a href="#">Back to Image</a>
<b>Hole Size A</b>	.46875"	
<b>Hole Size B</b>		
<b>Hole Size C</b>		
<b>Base Width</b>	.8125	
<b>Thickness</b>	.125"	
<b>Style</b>	bent	
<b>Comment</b>		



<b>Part #</b>	SPL-58-T	
<b>Desc.</b>	ACCUMULATOR TAB	
<b>Material</b>	6-4 Ti	<a href="#">Back to Image</a>
<b>Hole Size A</b>	.625"	
<b>Hole Size B</b>	0.19	
<b>Hole Size C</b>		
<b>Base Width</b>	N/A	
<b>Thickness</b>	.093"	
<b>Style</b>	bent	
<b>Comment</b>		

